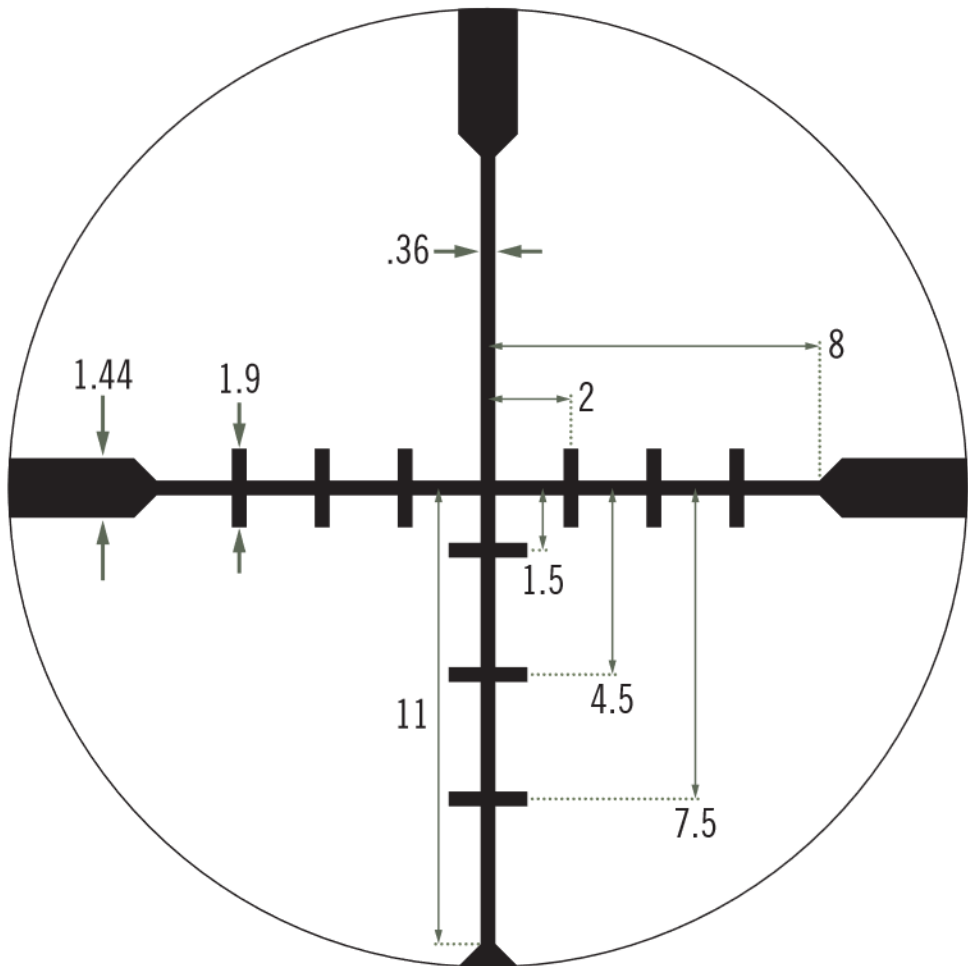


# DIAMONDBACK DEAD-HOLD BDC Reticle Subtensions for 1.75-5x32



## ....[NOTES]....

Subtensions are measured in MOA and correspond to the highest magnification.

Reticle image shown for representation only. Reticle image varies between scope models depending on magnification and reticle plane.